



# Food Processor Cutter Mixer 4.5 LT - Single Speed

ITEM # \_\_\_\_\_

MODEL # \_\_\_\_\_

NAME # \_\_\_\_\_

SIS # \_\_\_\_\_

AIA # \_\_\_\_\_



**600443 (DK45Y1V)**

Cutter mixer 4,5 lt capacity, 1 speed 1500 rpm. Supplied with microtoothed blade rotor and stainless steel bowl

## Short Form Specification

Item No. \_\_\_\_\_

2 in 1 machine: table-mounted cutter and emulsifier thanks to the ergonomic and easily dismantlable scraper, in heavy duty composite material, for liquidising, mixing and mincing in a matter of seconds. Stainless steel 4,5 litre bowl with high chimney to increase the real capacity of the bowl (use up to 75% of nominal capacity). Unique bowl design for mixing both large or small quantities. Transparent lid to check consistency of food and to eventually add ingredients without having to open the lid. Hinged cover, when lifted, remains open to permit a fast and easy check of preparation. Smooth blades in 420 AISI stainless steel. All parts are easily dismantled and dishwasher safe. Multiple safety devices ensure the machine will only operate when the cover is properly closed and all parts are correctly positioned. Flat and waterproof control panel with on/off button, pulse function and 1 speed (1500 rpm).

## Main Features

- Table-mounted robust cutter and emulsifier allows fast liquidizing, mixing, chopping, mincing, and pastry-making.
- Emulsifier function (scraper) included as standard.
- Base fixed cover for a better handling.
- Lid with central opening to add ingredients in mid-cycle.
- All parts in contact with food are removable without the use of tools, completely dismantlable and dishwasher safe.
- Easy to clean and waterproof control panel with flat on/off button and pulse function.
- Microswitch and safety devices on handle, lid and bowl.
- Pulse function for coarse chopping.
- Productivity suitable for 50-100 meals per service.

## Construction

- Stainless steel 4.5 liter bowl has a high chimney to ensure high productivity also when processing liquids.
- 1 speed: 1.500 rpm.
- Transparent lid incorporates a magnetic contact safety system.
- Improved ventilation system to manage smoothly heavy duty use.
- Reinforced feet to withstand the repeated handling of the unit.

## Included Accessories

- 1 of Lid and bowl scraper for 4,5 lt cutter mixer PNC 650099
- 1 of Stainless steel bowl for 4,5 lt cutter mixer PNC 653589

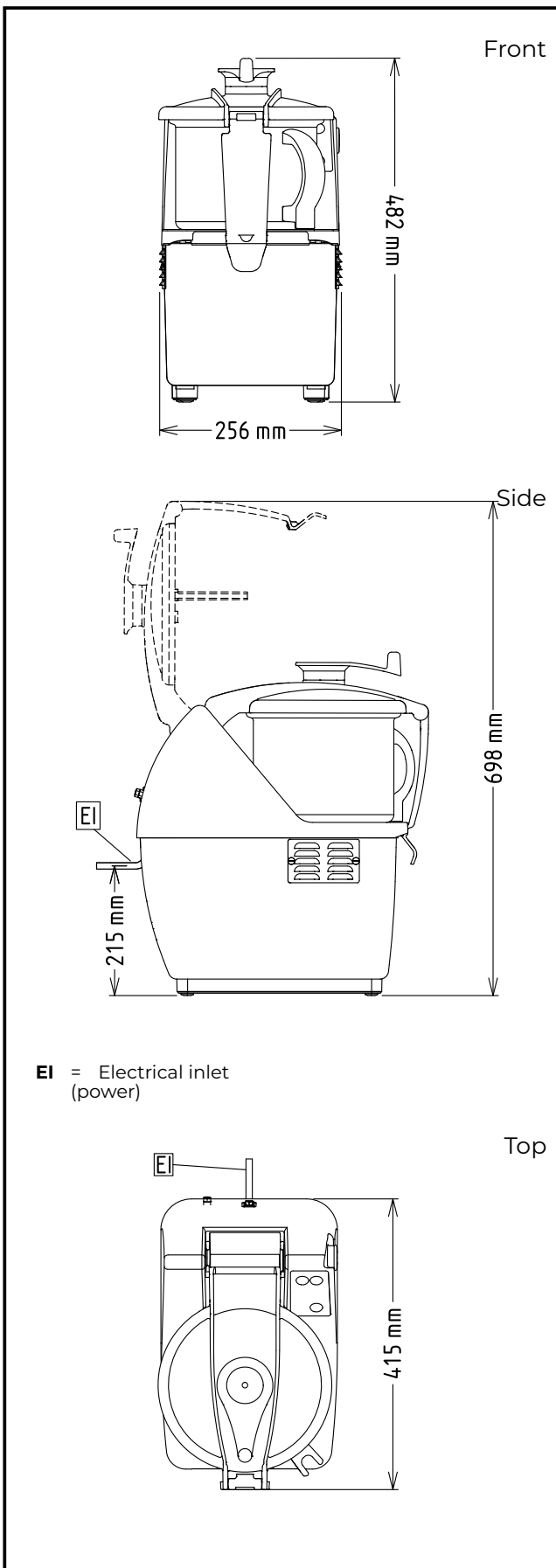
## Optional Accessories

- Lid and bowl scraper for 4,5 lt cutter mixer PNC 650099
- Stainless steel bowl for 4,5 lt cutter mixer PNC 653589

APPROVAL: \_\_\_\_\_



# Food Processor Cutter Mixer 4.5 LT - Single Speed



Electric

**Supply voltage:**

**600443 (DK45Y1V)**

220-240 V/1N ph/50 Hz

**Electrical power max.:**

0.75 kW

**Total Watts:**

0.75 kW

**Capacity:**

**Performance (up to):**

2 kg/Cycle

**Capacity:**

4.5 litres

**Key Information:**

**External dimensions,**

**Width:**

256 mm

**External dimensions,**

**Depth:**

415 mm

**External dimensions,**

**Height:**

482 mm

**Shipping weight:**

22 kg

EI = Electrical inlet  
(power)

Food Processor  
Cutter Mixer 4.5 LT - Single Speed

The company reserves the right to make modifications to the products  
without prior notice. All information correct at time of printing.

2024.05.16

